

# MODIS

## All-stainless extractor hoods

### Modular system

MODIS kitchen extractor hoods are part of a full product range of ATREA's modular extractor hoods.

The unique modular-kit based construction offers the customer to choose between a completed kit or assembly on site, either DIY or by the producer.

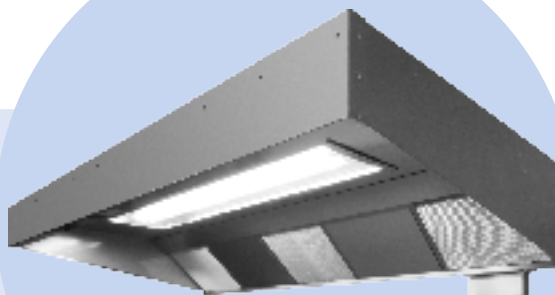
MODIS-series extractor hoods ensure efficient extraction with exhaust air filtration above kitchen appliances in kitchens of all sizes and types. If requested by the customer, automatic operation control can be installed. The extractor hoods are made of 1 mm AISI (CSN EN 17240) stainless steel with a brushed finish.

The extractor hoods are supplied in type sizes as indicated in the table; irregular sizes in the range indicated can be made to order: The in-built light, with a rating of IP 54 and heat resistance up to 60 °C is provided as standard. Optionally, a hood without the light can be supplied. The screw terminal for connecting the light is located on the extractor hood top. Extraction air filtration is provided by cassette grease filters with a standard size of 400 x 400 mm, made of multi-layer expanded metal and with a capturing efficiency of up to 90 %. For the flow rates and pressure drops of grease filters see the sizing diagram.

The free space between grease filters is plugged with sheet metal covers. Extraction ports for connecting HVAC ducts can be circular or rectangular as required, either typically on the top or alternatively on the side – see the dimensional drawing.

The extractor hoods have holes for hanging. Both the single-row and the double-row version can only be attached to the ceiling with M8 threaded rods.

The bottom edge of the extractor hood has a pan to collect condensate.



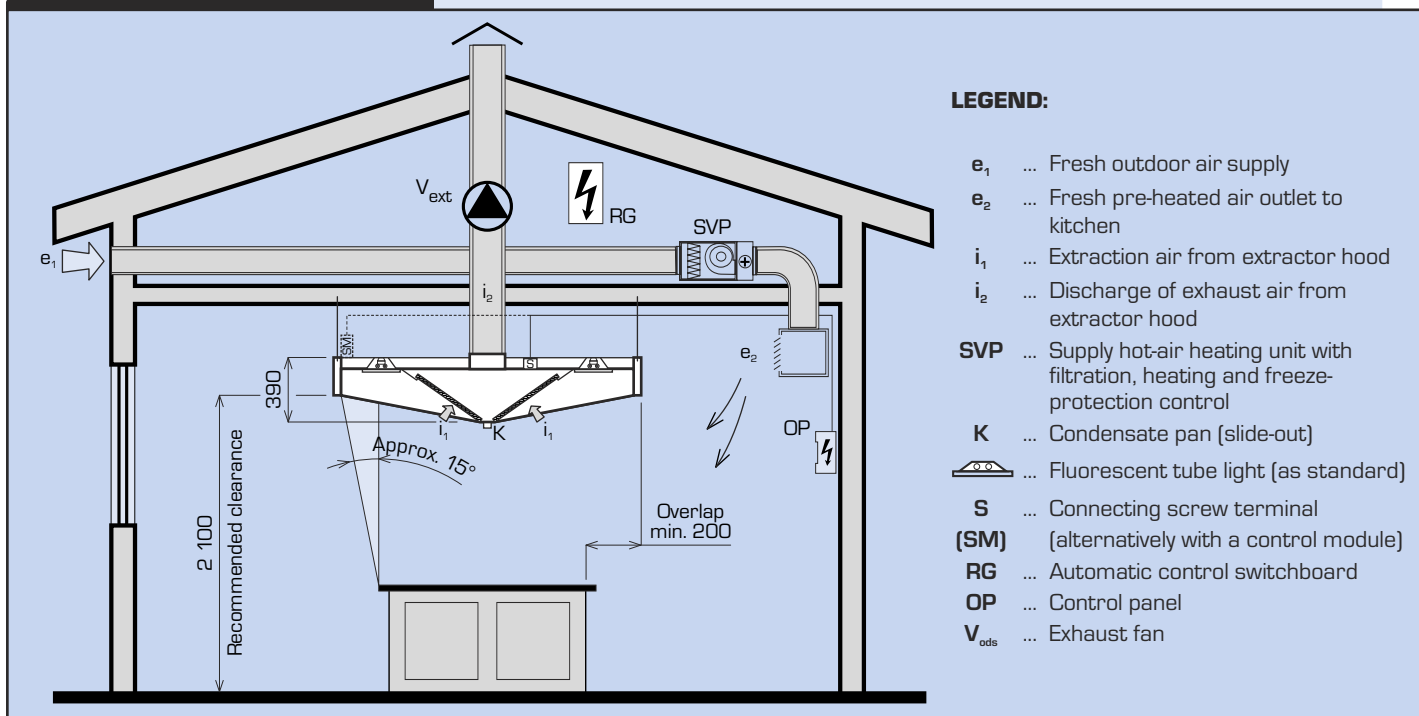
MODIS

#### Automatic operation control

MODIS extractor hoods can be made to order with a comprehensive microprocessor operation control system. It consists of a microprocessor control with differential temperature sensors installed in the SM screw terminal.

The OP control panel for the remote setting of the operation of the extractor hood and the RG switchboard for controlling the speed of the supply and extractor fans are supplied separately. When the temperature difference between air below the extractor hood and that in the kitchen increases, the extraction and supply fans automatically switch to lower speed. If the temperature difference increases again, both fans switch to maximum speed. After this adjustable difference lowers, the fans' performance automatically decreases or they stop completely.

#### DIAGRAM OF OPERATION



**Atrea®**

KITCHEN VENTILATION

ATREA s.r.o., V Aleji 20  
466 01 Jablonec n. N.  
Czech Republic

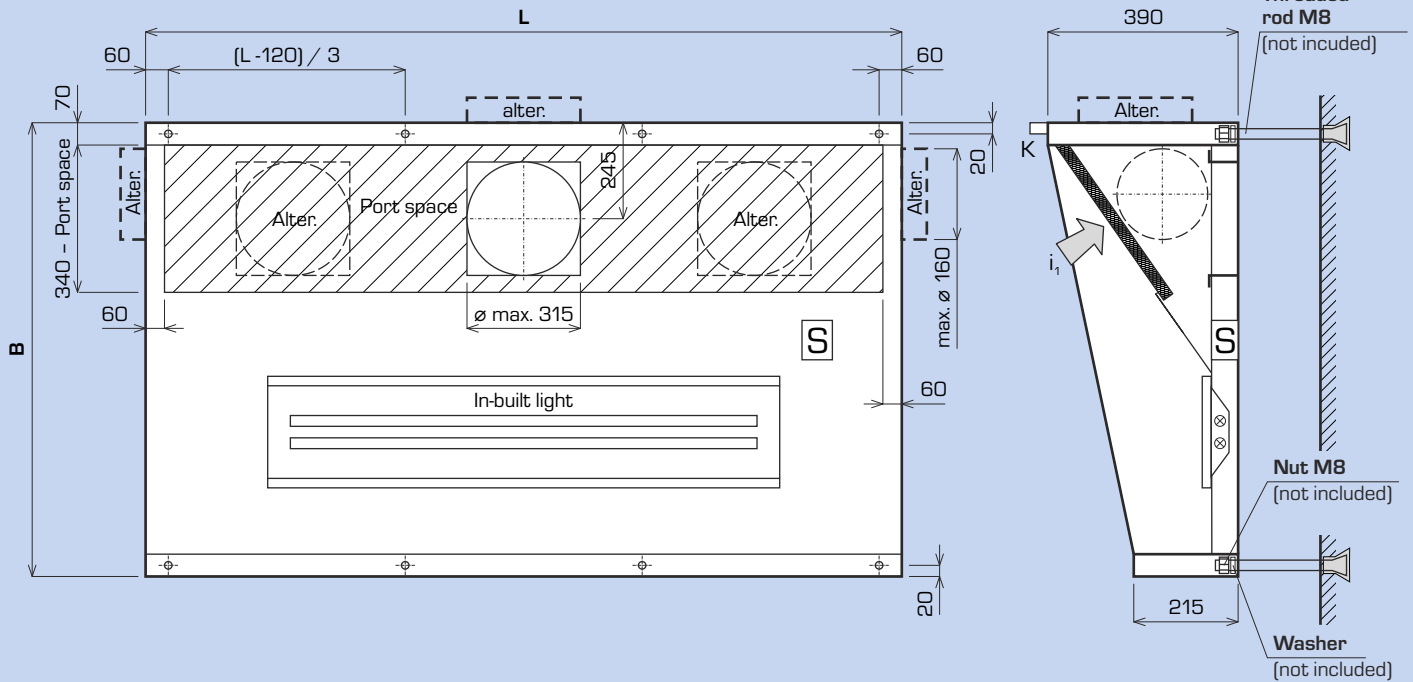


www.atrea.cz

Tel.: +420 483 368 122  
Fax: +420 483 368 112  
E-mail: export@atrea.cz

# MODIS-N (WALL-MOUNTED)

## MODIS-N (WALL-MOUNTED)



To be fixed solely to the ceiling;  
M8 threaded rod recommended

### Notes:

- These extractor hoods are supplied with circular or rectangular ports as required
- Extractor hoods up to a length of  $L > 2\,500$  mm are always supplied with 2 ports located a  $\frac{1}{4}$  of the hood's from the edges
- Alternatively a side port with a maximum diameter of 160 mm can be installed
- If mutually agreed, the ports can also be supplied separately and the holes in the extractor hoods made by the user during installation
- The dimensional diagram for hanging the extractor hood provided on request
- The extractor hoods can also be used in space away from walls – as standard, the rear side has a finish for exposure to view

### Legend:

- ⊠ – Screw terminal
- K – Condensate pan
- $i_e$  – Exhaust air discharge
- ⊗ – Light tube

## BASIC DIMENSIONS AND SIZING

Length L	Extractor hood dimensions (mm)					Max. number of filters	Maximum flow rate (m <sup>3</sup> /h)	Maximum pressure drop (Pa)	Power input of lighting	Number of attachments
	Width B									
1 000	800	1 000	1 200	1 400	1 600	2 pcs	1 280	75	1 pcs – 2x 18 W	4 pcs
1 200	800	1 000	1 200	1 400	1 600	2 pcs	1 280	75	1 pcs – 2x 18 W	4 pcs
1 400	800	1 000	1 200	1 400	1 600	3 pcs	1 920	75	1 pcs – 2x 18 W	4 pcs
1 600	800	1 000	1 200	1 400	1 600	3 pcs	1 920	75	1 pcs – 2x 36 W	4 pcs
1 800	800	1 000	1 200	1 400	1 600	4 pcs	2 560	75	1 pcs – 2x 36 W	4 pcs
2 000	800	1 000	1 200	1 400	1 600	4 pcs	2 560	75	1 pcs – 2x 36 W	4 pcs
2 200	800	1 000	1 200	1 400	1 600	5 pcs	3 200	75	1 pcs – 2x 58 W	8 pcs
2 400	800	1 000	1 200	1 400	1 600	5 pcs	3 200	75	1 pcs – 2x 58 W	8 pcs
2 600	800	1 000	1 200	1 400	1 600	6 pcs	3 840	75	1 pcs – 2x 58 W	8 pcs
2 800	800	1 000	1 200	1 400	1 600	6 pcs	3 840	75	1 pcs – 2x 58 W	8 pcs
3 000	800	1 000	1 200	1 400	1 600	7 pcs	4 480	75	2 pcs – 2x 36 W	8 pcs
3 200	800	1 000	1 200	1 400	1 600	7 pcs	4 480	75	2 pcs – 2x 36 W	8 pcs
3 400	800	1 000	1 200	1 400	1 600	8 pcs	5 120	75	2 pcs – 2x 36 W	8 pcs
3 600	800	1 000	1 200	1 400	1 600	8 pcs	5 120	75	2 pcs – 2x 36 W	8 pcs
3 800	800	1 000	1 200	1 400	1 600	9 pcs	5 760	75	2 pcs – 2x 36 W	8 pcs
4 000	800	1 000	1 200	1 400	1 600	9 pcs	5 760	75	2 pcs – 2x 36 W	8 pcs

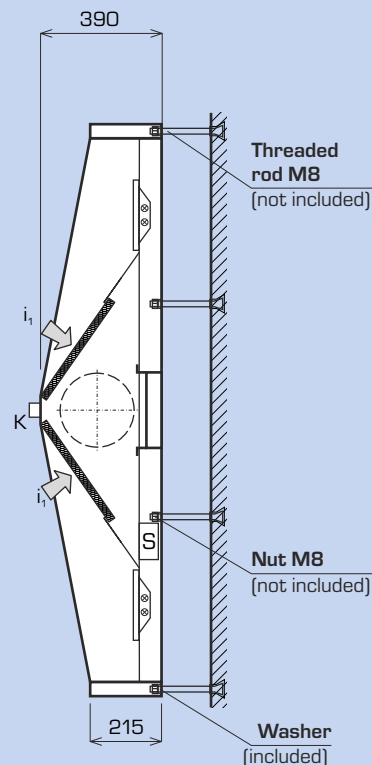
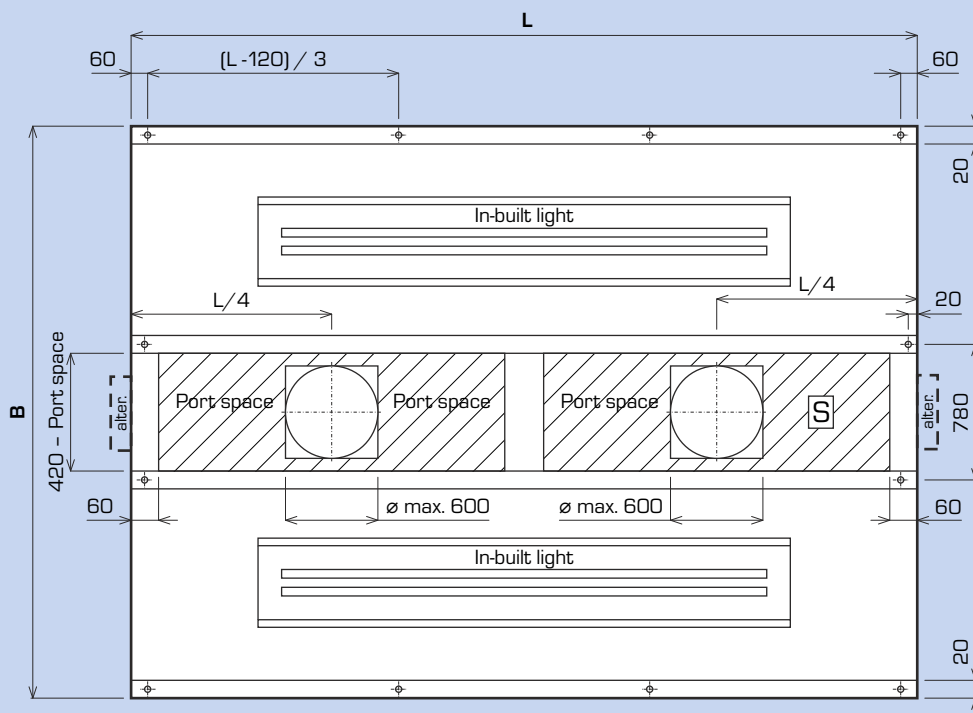
## IRREGULAR DIMENSIONS

The extractor hoods can be supplied in irregular sizes in a range of:  
 – Length  $L = 1\,000 - 4\,000$  mm (in 50 mm increments).  
 – Width  $B = 800 - 1\,600$  mm (in 50 mm increments).

## WEIGHT

$G_{\text{digestor}} \approx L \times B \times (25 - 35 \text{ kg} / \text{m}^2 \text{ of plan})$   
 $G_{\text{filter}} \approx 1.6 \text{ kg} / \text{pc}$

## MODIS-S (CENTRAL)



To be fixed solely to the ceiling;  
M8 threaded rod recommended

### Notes:

- These extractor hoods are supplied with circular or rectangular ports as required
- Extractor hoods up to a length of  $L > 2\,500$  mm are always supplied with 2 ports located a  $\frac{1}{4}$  of the hood's length from the edges
- Alternatively a side port with a maximum diameter of 160 mm can be installed
- If mutually agreed, the ports can also be supplied separately and the holes in the extractor hoods made by the user during installation
- The dimensional diagram for hanging the extractor hood provided on request

### Legend:

- ⊞ - Screw terminal
- K - Condensate pan
- $i_1$  - Exhaust air discharge
- ⊗ - Light tube

## BASIC DIMENSIONS AND SIZING

Length L	Extractor hood dimensions (mm)					Max. number of filters	Maximum flow rate (m <sup>3</sup> /h)	Maximum pressure drop (Pa)	Power input of lighting	Number of attachments
	Width B									
1 200	1 500	1 600	1 800	2 200	2 500	4 pcs	2 560	75	2 pcs - 2x 18 W	8 pcs
1 400	1 500	1 600	1 800	2 200	2 500	6 pcs	3 840	75	2 pcs - 2x 18 W	8 pcs
1 600	1 500	1 600	1 800	2 200	2 500	6 pcs	3 840	75	2 pcs - 2x 36 W	8 pcs
1 800	1 500	1 600	1 800	2 200	2 500	8 pcs	5 120	75	2 pcs - 2x 36 W	8 pcs
2 000	1 500	1 600	1 800	2 200	2 500	8 pcs	5 120	75	2 pcs - 2x 36 W	8 pcs
2 200	1 500	1 600	1 800	2 200	2 500	10 pcs	6 400	75	2 pcs - 2x 58 W	12 pcs
2 400	1 500	1 600	1 800	2 200	2 500	10 pcs	6 400	75	2 pcs - 2x 58 W	12 pcs
2 600	1 500	1 600	1 800	2 200	2 500	12 pcs	7 680	75	2 pcs - 2x 58 W	12 pcs
2 800	1 500	1 600	1 800	2 200	2 500	12 pcs	7 680	75	2 pcs - 2x 58 W	12 pcs
3 000	1 500	1 600	1 800	2 200	2 500	14 pcs	8 960	75	4 pcs - 2x 36 W	12 pcs
3 200	1 500	1 600	1 800	2 200	2 500	14 pcs	8 960	75	4 pcs - 2x 36 W	12 pcs
3 400	1 500	1 600	1 800	2 200	2 500	16 pcs	9 600	75	4 pcs - 2x 36 W	12 pcs
3 600	1 500	1 600	1 800	2 200	2 500	16 pcs	9 600	75	4 pcs - 2x 36 W	12 pcs
3 800	1 500	1 600	1 800	2 200	2 500	18 pcs	10 240	75	4 pcs - 2x 36 W	12 pcs
4 000	1 500	1 600	1 800	2 200	2 500	18 pcs	10 240	75	4 pcs - 2x 36 W	12 pcs

## IRREGULAR DIMENSIONS

The extractor hoods can be supplied in irregular sizes in a range of:

- Length  $L = 1\,200 - 4\,000$  mm (in 50 mm increments).
- Width  $B = 1\,500 - 2\,500$  mm (in 50 mm increments).

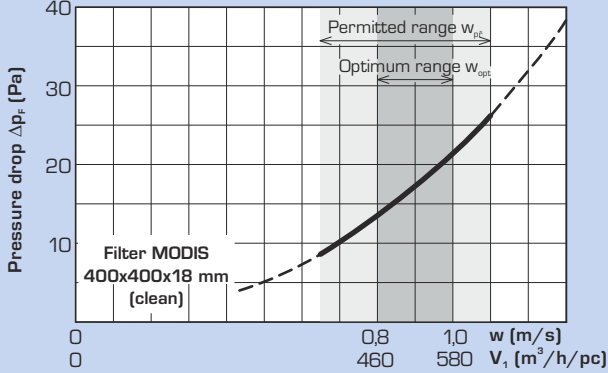
## WEIGHT

$G_{\text{digestor}} \approx L \times B \times [25 - 35 \text{ kg} / \text{m}^2 \text{ of plan}]$   
 $G_{\text{filtr.}} \approx 1,6 \text{ kg} / \text{pc}$

## GREASE FILTERS - SIZING

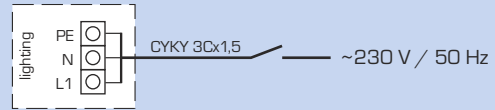
As standard, the extractor hoods are fitted with 400 x 400 mm MODIS grease filters. They are made of multi-layered expanded metal and set in a stainless frame.

The number of filters is always determined according to the maximum assumed flow rate through the extractor hood using the diagram; a flow rate through a single filter is always within the optimum range. After that it is necessary to check whether the calculated number of filters physically fit in the length of the extractor hood.

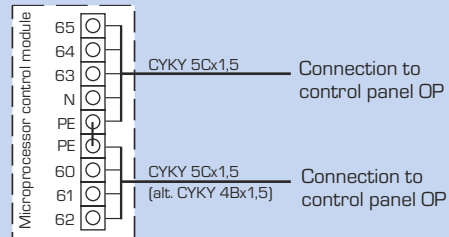


## ELECTRIC CONNECTIONS

### a) Basic-type screw terminal



### b) A screw terminal with an in-built SM microprocessor control module (optional)



## IMPORTANT NOTICES

- The maximum temperature of extracted air is 60 °C
- Class B gas appliances must be plumbed into a chimney, never into the extractor hood
- Make sure the extractor hood has enough overlap over the outline of appliances
- We recommend that you should always consider the means of transport and whether the extractor hood should be supplied completed or disassembled
- Light controls are not a part of the extractor hood equipment
- Extractor hood ports for connection to a HVAC duct are not fitted with flanges

## ORDERING DETAILS

### The following details must be specified when placing an order:

- MODIS kitchen extr. hood ..... N / S
- Extractor hood dimensions ..... L x B (mm)
- Flow rate  $V_{ext} =$  .....  $m^3 / h$
- Grease filter MODIS 400 x 400 ..... x pcs
- HVAC connecting ports ..... e.g. 2x  $\varnothing$  250 from top
- Delivered in parts ..... NO / YES\*
- Assembly site address .....

### Optional accessories - measurement and control:

- Control module SM1/2 ..... 1 pc - YES / NO
- Control panel OP ..... 1 pc - YES / NO
- Switchboard RG2 ..... 1 pc (supply and extractor fans, type .....)  
if YES, include specifications and type

\* If delivered in parts, assembly can be ordered from the producer or done by the customer, for details see the MODIS Extractor Hoods price list.